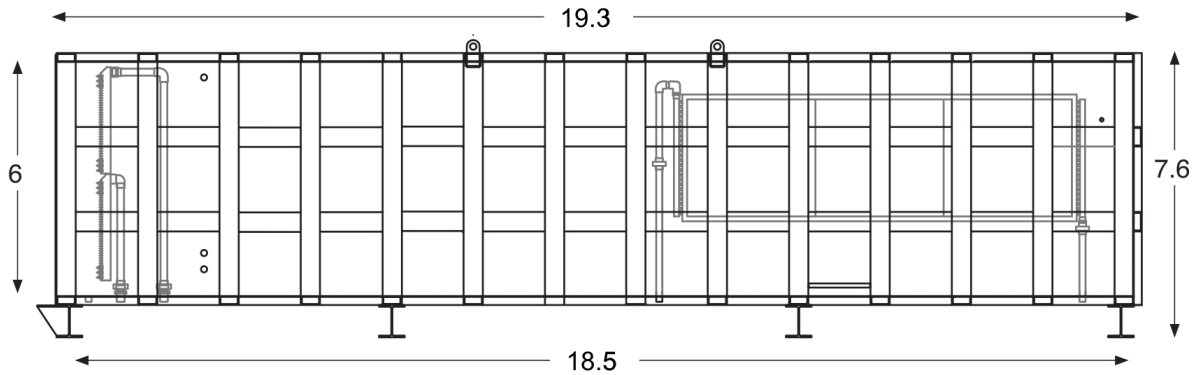


Model VK3.0: Specifications

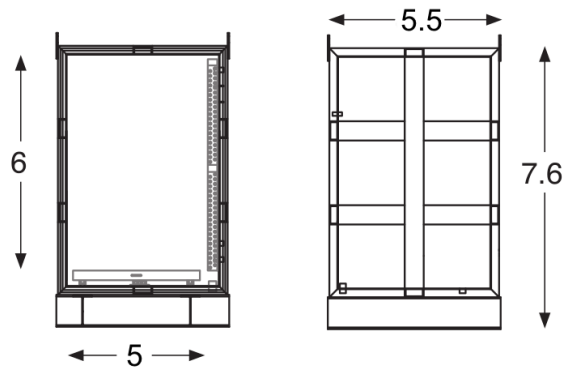


Specifications

Interior Width	5'
Interior Height	6'
Interior Length	18.5'
Clear Plate Length	16.3'
Plate Width	50"
Exterior Width	5.5'
Exterior Height	7.6'
Exterior Length	19.3'
Ext. Length w/ Rails & Winch	~38'
Shipping Weight	17,500 lbs
Service Entrance	460VAC 40A
Boiler Input BTUs	140,000 BTUs
Cooling Requirement	20 Tons
Number of Plates	*27

Energy Requirements

Electric Usage per Load	~730kW
Average kW per Hour	~5.5kW
Electricity per Load @ \$0.12/kWh	~\$88
Electricity per BFT @ \$0.12/kWh	~\$0.04
BTU per Load	~5300000
Average BTU per Hour	~40000



Projections

BFT per Layer - 8/4	~108
Layers per Load	~25
Total BFT per Load	~2800
Drying time - Hard Maple	5.5 days
Loads per Month	5
Total BFT per Month	14,000
Total BFT per Year	168,000

Note: Note many values are general estimates. Basis of 8/4 Hard Maple lumber milled such that there is ~20% total kiln charge volume loss. Boardfoot values listed are net values.

Other starting conditions can be custom calculated upon request.