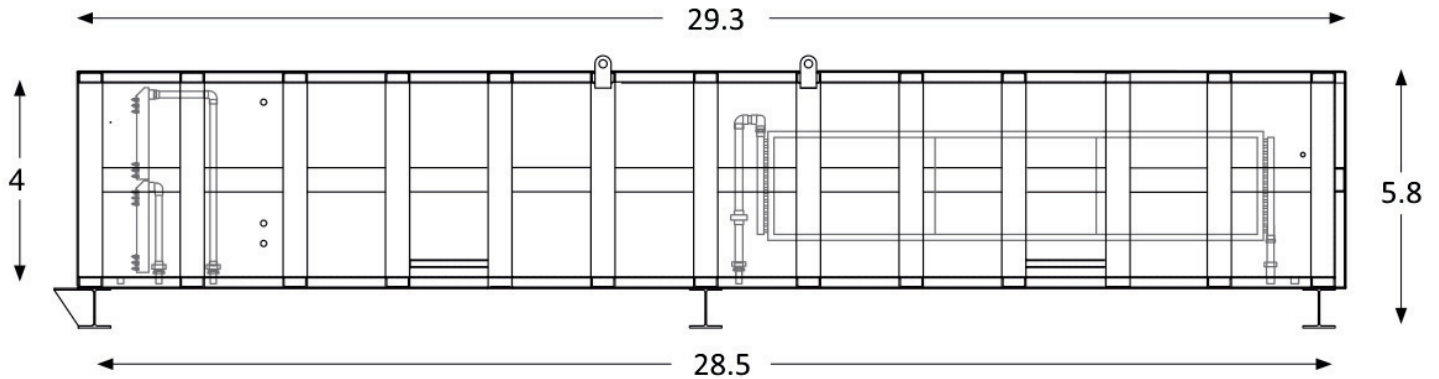


# VacDry VK4.5: Specifications



## Projections w/ 8/4 Hard Maple

Layers per Load	16
Max. Boardfeet Capacity	~5893
Boardfeet @ 80% Coverage	~4715
Drying Time	7 Days
Loads per Month	~4
Boardfeet per Month	~19,252
Boardfeet per Year	~231,019

## Requirements w/ 8/4 Hard Maple

Avg Electric Usage per Hour	~4.9 kW
Electric Usage per Load	~829 kW
Electric Cost @ \$0.11/kWh	~\$91
Avg BTU per Hour	~52,400 BTU
MBTU per Load	~8.8 MBTU
BTU Cost @ \$2.70/gal	~\$202

## Specifications

Kiln Charge Size:	80"W x 42"H x 26'L
Floor Space Required:	~9.5'W x ~58'L
Shipping Weight:	est. ~30,000 Pounds
Service Entrance:	30A @ 460VAC

