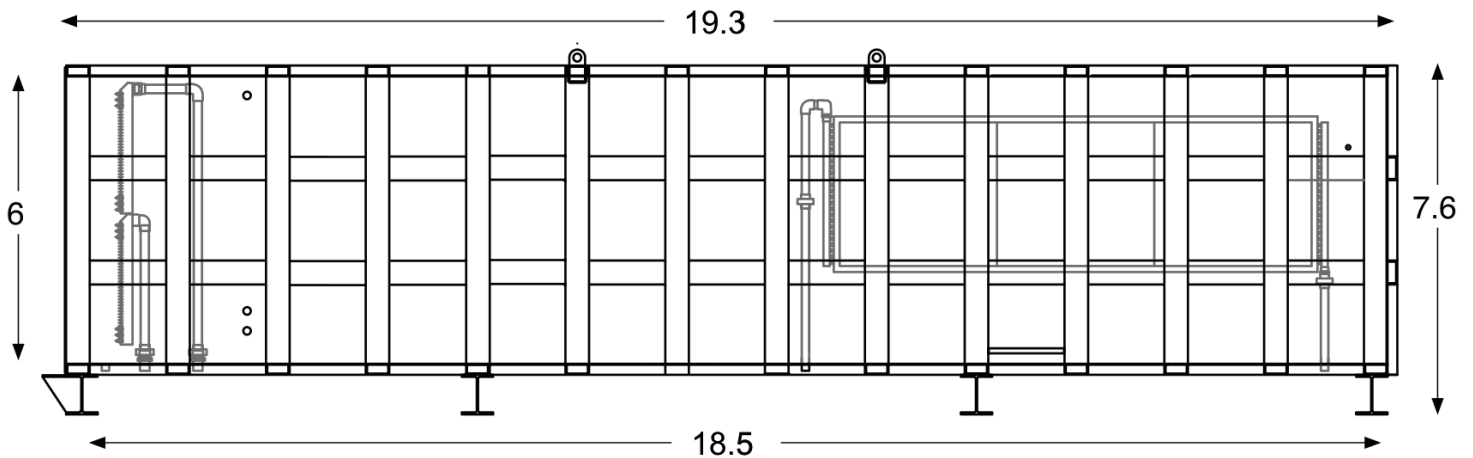


VacDry VK3.0: Specifications



Projections w/ 8/4 Hard Maple

Layers per Load	26
Max. Boardfeet Capacity	3536
Boardfeet @ 80% Coverage	~2834
Drying Time	7 Days
Loads per Month	~4
Boardfeet per Month	~11,336
Boardfeet per Year	~136,032

Requirements w/ 8/4 Hard Maple

Avg Electric Usage per Hour	~6.3 kW
Electric Usage per Load	~1063 kW
Electric Cost @ \$0.11/kWh	~\$117
Avg BTU per Hour	~31,500 BTU
MBTU per Load	~5.3 MBTU
BTU Cost @ \$2.70/gal	~\$121

Specifications

Kiln Charge Size:	50"W x 202"L x 66"H
Floor Space Required:	~6"W x ~38"L
Shipping Weight:	~17,500 Pounds
Service Entrance:	30A @ 460VAC

